

# EV3830H Series Video Stand Server

Easily Upgrade Your CCTV Camera to Be IP Camera



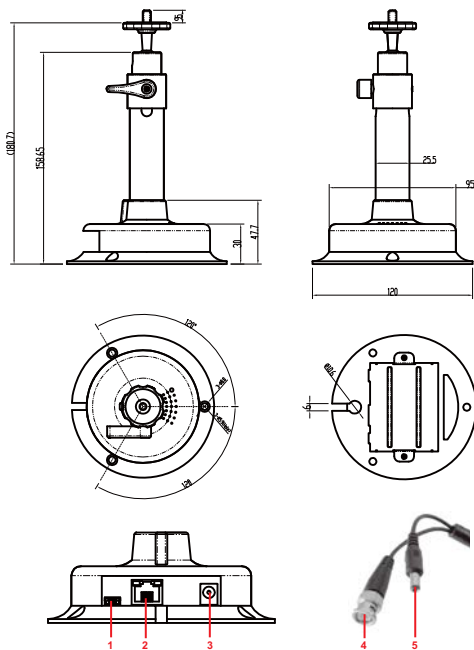
MPEG-4

Audio

## Features

- MPEG-4, M-JPEG
- D1, CIF QCIF Image Resolution
- Up to 30fps (NTSC) / 25 fps (PAL) at D1 Resolution
- 1CH, NTSC/PAL Video Input, BNC Connector
- Built-in Buzzer
- Up to 20 sec Video Buffer
- Built-in High Sensitive Microphone
- Power over Ethernet (EV3830HP)
- 3x3 Cofigurable Areas Motion Detection
- Alarm Trigger: Periodic Timer, Motion Detection, Video Loss, Power Loss, Network Loss, Digital Input
- File/Clip Upload via FTP and Email, Notification via Email, External Output Activation
- Female RJ-45 Ethernet 10Base/100Base TX PTZ Connector

## Dimensions



1. EtroLink™ Config Port
2. 10/100Mbps Ethernet Port
3. 12V DC Power
4. BNC Video In
5. 12V Power Out

## Specifications

	Model	EV3830H	EV3830HP
<b>System</b>	CPU	ARM 9 Based 32 Bit RISC	
	SDRAM	64 MB	
	Flash	8 MB	
	Embedded OS	Linux 2.4	
<b>Video Compression</b>	Format	M-JPEG, MPEG-4 Dual Codec	
	Frame Rate	Up to 30fps (NTSC) / 25fps (PAL) @ D1 Resolution	
	Bit Rate	64k ~ 3M bps	
<b>IP Network</b>	Ethernet	RJ45 - 10/100 Base-T	
	Protocol	TCP/IP, DHCP, PPPoE, HTTP, DDNS, NTP, FTP, SMTP, UDP	
	PoE	N/A	IEEE 802.3af Compliant
<b>Mechanical Info</b>	Power Supply	DC 12V in / 1A, 1XDC Jack	
	Combo Cable	DC 12V Out / 550mA, BNC Connector, NTSC/PAL	
	Dimension	120(W)x175(H)x120 (D) mm	
	Weight	510g	530g
<b>Minimum System Requirements</b>	CPU	Pentium 4, 2.4GHz and Above	
	Hard Disk	40 GB or Above	
	Memory	512 MB or Above	
	Operating System	Windows XP with SP2 or Above / Windows 2000 with SP4 or Above	
	Video Resolution	SVGA or XGA with 1024x768 Resolution	
	Software	DirectX 9.0C or Above	
<b>Management &amp; Support</b>	Configuration	EtroScan™ Utility	
	Integration	EtroSDK™ Support (Windows, Linux, WinCE.NET)	
	USB Port	EtroLink™ Config Port / Mini-USB Female Socket for Network Setting	
	Web Browser	Microsoft Internet Explorer 6.0, or Above	
<b>Operating Environment</b>	Security	Password Protection	
	Temperature	0 °C ~ 40 °C (32 °F ~ 104 °F)	
<b>Supplied Accessories</b>	Humidity	20% ~ 80% RH	
		Power Adapter, USB Cable, CD-ROM (User Manual, Free Bundle NVR), Power Cable( ϕ2.5 to 2.1)	