

EV6230A Series IP Camera

PTZ IP Camera for Professional Indoor & Outdoor Application



MPEG-4

Audio

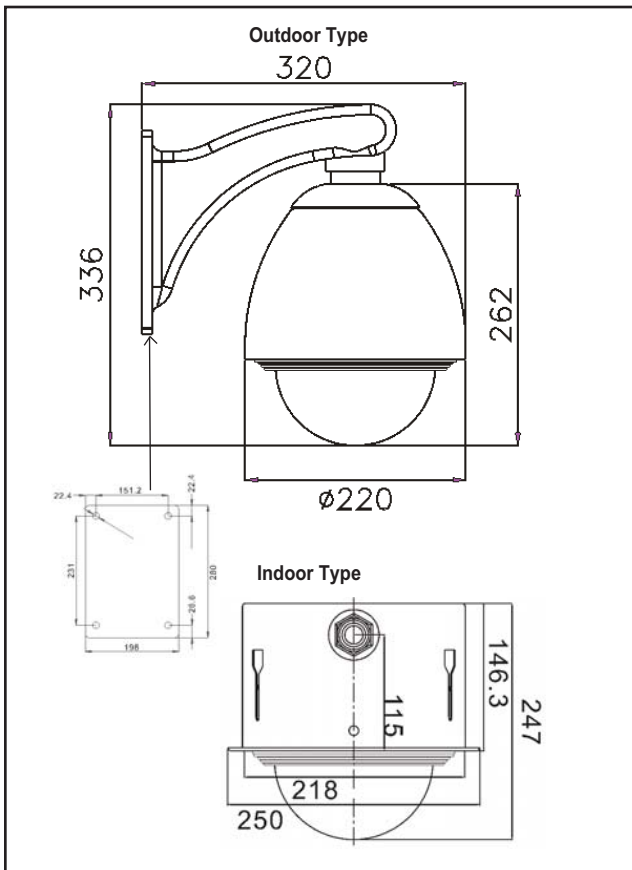
PTZ

D/N

Features

- SONY 1/4" EX-VIEW CCD
- Built-in IR Cut Filter
- 360° Pan, 90° Scan, 180° Auto Flip
- f=4.1mm(w) to 73.8mm (t), F1.4~F3.0
- 1.0 Lux Minimum Illumination
- MPEG-4, M-JPEG
- D1, CIF, QCIF Image Resolution
- Up to 30 fps (NTSC) / 25 fps (PAL) at D1 Resolution
- 2-way Audio ; Audio In: ADPCM Audio Out:MP3
- Digital In / Out
- Indoor / IP 66 Water-proof Outdoor Housing Available
- Up to 20 sec Video Buffer
- ARM 9 Based 32-bit RISC, 512Mbits
- Female RJ-45 Ethernet 10Base/100Base TX
- Support TCP/IP, DHCP, PPPoE, HTTP, DDNS, NTP, FTP, SMTP

Dimensions



Specifications

	Model	EV6230A-BI EV6230A-BO	EV6230A-CI EV6230A-CO	EV6230A-DI EV6230A-DO
Sensor & Lens	Sensor	SONY 1/4" EX-VIEW CCD		
	Lens	f=4.1mm(wide) to 73.8mm(tele), F1.4 to F3.0		f=3.5mm(wide) to 91mm(tele), F1.6 to F3.8
	Day & Night	N/A	Built-in IR-Cut	Built-in IR-Cut
	Number of Effective Pixels (HxV)	App. 380,000(NTSC) , App.440,000(PAL)		
	Iris & Focus	Auto Iris & Auto Focus		
	BLC	Auto		
	White Balance	Auto		
Analogue Video Output	Horizontal Resolution	480 TV Lines		
	S/N Ratio	More than 50dB		
	Minimum Illumination	1.0 Lux	0.01 Lux / 0.7 Lux B/W Mode Auto Switch	
System	CPU	ARM 9 Based 32 Bit RISC		
	SDRAM	64 MB		
	Flash	8 MB		
	Embedded OS	Linux 2.4		
Compression- Video/Audio	Format	M-JPEG, MPEG-4 Dual Codec		
	Frame Rate	Up to 30fps (NTSC) / 25fps (PAL) @ D1 Resolution		
	Bit Rate	64k ~ 3M bps		
	Video Resolution	NTSC: D1 (720x480), CIF(352x240), QCIF(176x120) PAL: D1 (720x576), CIF(352x288), QCIF(176x144)		
	Audio	2-Way		
IP Network	Ethernet	10/100 Base-T		
	Protocol	TCP/IP, DHCP, PPPoE, HTTP, DDNS, NTP, FTP, SMTP, UDP		
I/O Connector	Network	1 X RJ-45 (Female Type)		
	Power	1 X DC Jack (Female Type)		
	Alarm In / Out	1 X Digital Input / 1 X Digital Output		
	Audio	1 X Line In / 1 X Line Out		
	Video	1 X Video Out		
Mechanical Info	Power Supply	12V DC / 2.42 A		
	Dimension	218 (Ø) x 247 (H) mm (Indoor) 220 (Ø) x 262 (H) mm (Outdoor)		
	Weight	~ 7 kg		
	Fan & Heater	Auto Activation		
Pan/Tilt/Zoom	Pan / Tilt	360° Continuous Pan Rotation / 90° Scan Range / 180° Auto Flip		
	Zoom	72X (18xOpti., 4xDigital)	216X (18xOpti., 12xDigital)	312X (26xOpti., 12xDigital)
Minimum System Requirements	CPU	Pentium 4, 2.4GHz and Above		
	Hard Disk	40 GB or Above		
	Memory	512 MB or Above		
	Operating System	Windows XP with SP2 or Above / Windows 2000 with SP4 or Above		
	Video Resolution	SVGA or XGA with 1024x768 Resolution		
Management & Support	Software	DirectX 9.0C or Above		
	Configuration	EtroScan™ Utility		
	Integration	EtroSDK™ Support (Windows, Linux, WinCE.NET)		
	USB Port	EtroLink™ USB Config Port / Mini-USB Female Socket for Network Setting		
	Web Browser	Microsoft Internet Explorer 6.0, or Above		
Operating Environment	Security	Password Protection		
	Temperature	-10 °C ~ 50 °C (32 °F ~ 104 °F)		
	Humidity	20% ~ 80% RH		
Supplied Accessories	Power Adapter, USB Cable, CD-ROM (User Manual, Free Bundle NVR)			

*Note : The Model Name EV6230A-XI / XO Where I Stands for Indoor Model, O Stands for Outdoor Model

E-mail: etrosales@etrovision.com, TEL: +886-2-26551518
2F, Block C, Nan Kang Software Park,
19-5 San-chung Rd., Nan Kang District, Taipei 115, Taiwan

 **ETROVISION**
www.etrovision.com

