

# EV6333A Series IP Camera

SuperHAD SONY CCD, Vari-focal ED Lens

Guarantee Absolute Steady Performance Even at -25°C



MPEG-4

Audio

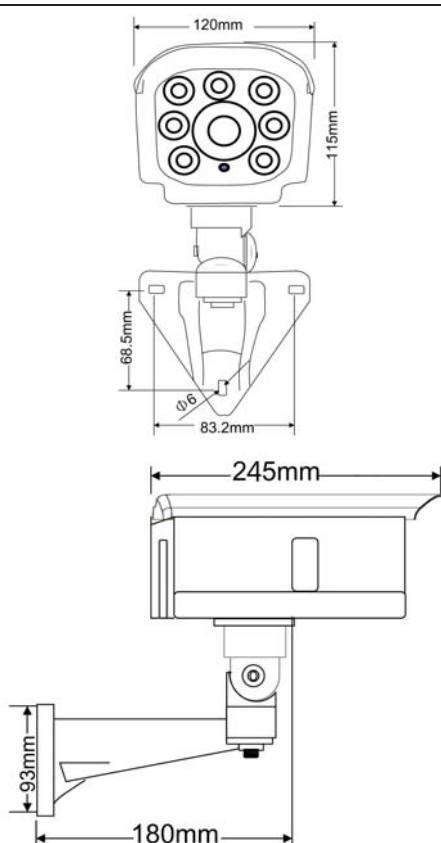
IP66

Day & Night

## Features

- 1/3" SuperHAD Q1 SONY CCD
- 0.1 Lux/ 0 Lux (IR LED On)
- IR Range up to 40(BO) / 80(CO) Meters
- MPEG-4, M-JPEG
- D1, CIF, QCIF Image Resolution
- Up to 30fps (NTSC) / 25 fps (PAL) at D1 Resolution
- 2-way Audio
- Audio In:ADPCM Audio Out:MP3
- Digital In / Out
- Water-proof Housing (IP66)
- File/Clip Upload via FTP and Email, Notification via Email, External Output Activation
- ARM 9 Based 32-bit RISC, 512Mbits
- Female RJ-45 Ethernet 10Base/100Base TX
- Built-in Heater and Fan

## Dimensions



## Specifications

	Model	EV6333A-BO24	EV6333A-CO24	EV6333A-DO24	EV6333A-EO24	EV6333A-FO24
		EV6333A-BO80	EV6333A-CO80	EV6333A-DO80	EV6333A-EO80	EV6333A-FO80
Lens / Sensor	Sensor	1/3" Sony CCD Sensor		1/3" Super HAD Q1 Sony CCD		
	Lens	16mm Fix Lens		3.8-9.5mm	9-22mm	
		Vari-Focal ED Lens				
	Auto Control	BackLight Compensation / Gain Control / White Balance				
	Number of Effective Pixels (HxV)	768 x 494 (NTSC) , 752 x582 (PAL)				
	Electronic Shutter	1/60~1/120,000(NTSC) 1/50~1/120,000(PAL)				
	Iris	Auto Iris				
	Gain	Auto				
IR LED	White Balance	Auto				
	Built-in IR LED	4pcs	7pcs	4pcs	4pcs	7pcs
		Super Power LED with Photo Diode Sensor Control				
	IR Wavelength /Beam Angle	850nm/ 45 Degree				
Analog Video Output	Max. IR Range	40M	80M	40M	40M	80M
	Horizontal Resolution	420 TV lines		540 TV Lines		
	S/N Ratio	More than 50dB				
System	Minimum Illumination	0.1 Lux / 0 Lux (IR LED On)				
	CPU	ARM 9 Based 32 Bit RISC				
	SDRAM	64 MB				
	Flash	8 MB				
Compression-Video/Audio	Embedded OS	Linux 2.4				
	Format	M-JPEG, MPEG-4 Dual Codec				
	Frame Rate	Up to 30fps (NTSC) / 25fps (PAL) @ D1 Resolution				
	Video Resolution	NTSC: D1 (720x480), CIF(352x240), QCIF(176x120) PAL: D1 (720x576), CIF(352x288), QCIF(176x144)				
	Bit Rate	64k ~ 3M bps				
	Audio Input	8 kHz Stereo, ADPCM				
	Audio Output	44.1 kHz Stereo, MP3				
	IP Network	Ethernet	10/100 Base-T			
Protocol		TCP/IP, DHCP, PPPoE, HTTP, DDNS, NTP, FTP, SMTP,UDP				
I/O Connector	Network	RJ-45 Ethernet Port with "Power" and "Link" LED				
	Audio	Line In x 1 / Line out x 1				
	Alarm In/Out	Digital In x 1 / Digital Out x 1				
Mechanical Info.	Video Out	Additional Video Out BNC Cable				
	Power Supply	24Vac or 080PSU (90-240Vac) Power Input / 4A Rating Current				
	Outdoor Protection Level	IP66				
	Dimension	120 (W) X 115 (H) X 215 (D) mm				
Minimum System Requirements	Weight	3,700g				
	Heater & Fan	Built-in Auto Activation				
	CPU	Pentium 4, 2.4GHz and Above				
	Hard Disk	40 GB or Above				
	Memory	512 MB or Above				
Management & Support	Operating System	Windows XP with SP2 or Above / Windows 2000 with SP4 or Above				
	Video Resolution	SVGA or XGA with 1024x768 Resolution				
	Software	DirectX 9.0C or Above				
Operating Environment	Configuration	EtroScan™ Utility				
	Integration	EtroSDK™ Support (Windows, Linux, WinCE.NET)				
	Web Browser	Microsoft Internet Explorer 6.0, or Above				
Supplied Accessories	Security	Password Protection				
	Temperature	-25~50°C /				
	Humidity	30~90% RH				
	CD-ROM (User Manual, Free Bundle NVR), USB Cable					

E-mail: [etrosales@etrovision.com](mailto:etrosales@etrovision.com), TEL: +886-2-26551518  
2F, Block C, Nan Kang Software Park,  
19-5 San-chung Rd., Nan Kang District, Taipei 115, Taiwan

 **ETROVISION**  
www.etrovision.com

