

EV6532A Series IP Camera

Discreet Appearance, Easy-of-use,
Versatile Features for Indoor Application



MPEG4

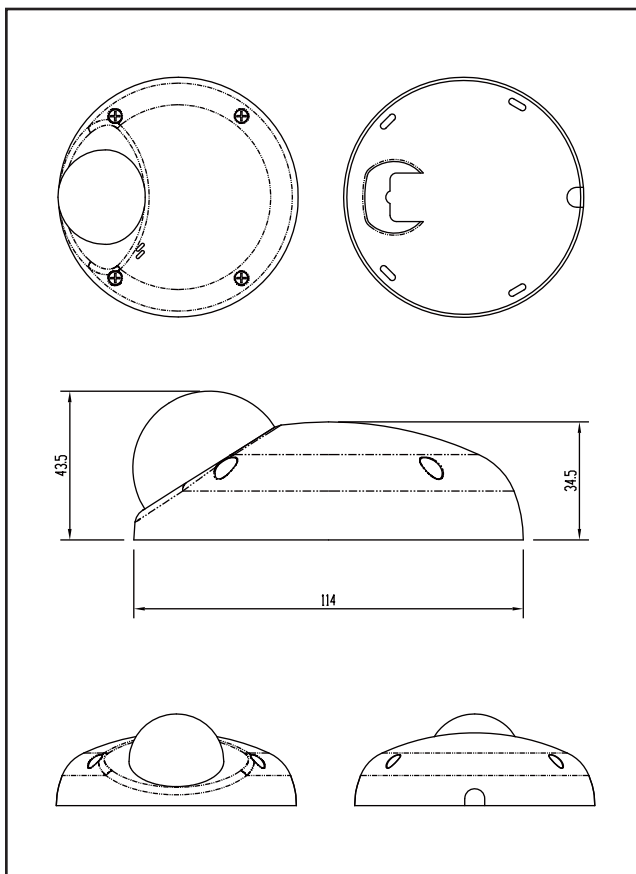
Audio

PoE

Features

- 1/4" Low-light Sensitive CMOS
- 90° Pan, 10° Tilt Adjustable
- 3.6 mm Fixed Lens
- 0.5 Lux ; DIP Switch
- MPEG-4, M-JPEG
- VGA, QVGA, QQVGA Image Resolution
- Up to 30fps at VGA Resolution
- 2-way Audio
- Built-in Microphone
- Digital In / Out
- Power over Ethernet Support (EV6532AP)
- UP to 20 sec Video Buffer
- ARM 9 Based 32-bit RISC, 512Mbits
- File/Clip Upload via FTP and Email, Notification via Email, External Output Activation

Dimensions



Specifications

	Model	EV6532A	EV6532AP
Lens / Sensor	Sensor	1/4" Low-Light Sensitive CMOS	
	Lens Mounted	3.6mm Fixed Lens	
	Number of Effective Pixels (HxV)	640 x 480	
	Electronic Shutter	1/30~1/50,000	
	Gain	Auto	
	White Balance	Auto	
Analog Video Output	Scanning System	Progressive Scan	
	Sync System	Internal	
	Resolution	640 X 480 VGA	
	S/N Ratio	38dB	
System	Minimum Illumination	0.5 Lux	
	CPU	ARM 9 Based 32 Bit RISC	
	SDRAM	64 MB	
	Flash	8 MB	
	Embedded OS	Linux 2.4	
Compression-Video / Audio	Format	M-JPEG, MPEG-4 Dual Codec	
	Frame Rate	Up to 30fps (NTSC) / 25fps (PAL) @ VGA Resolution	
	Video Resolution	VGA (640X480), QVGA (320X240), QQVGA (160X120)	
	Bit Rate	64k ~ 3M bps	
	Audio	Built-in Microphone, Line Out x 1	
IP Network	Ethernet	10/100 Base-T	
	Protocol	TCP/IP, DHCP, PPPoE, HTTP, DDNS, NTP, FTP, SMTP,UDP	
I/O Connector	Network	1 x RJ-45 (Female Type)	
	Power	1 X DC Jack (Female Type)	
	Audio	Line Out x 1 ; 8 kHz Stereo, ADPCM,	
	Alarm In/Out	Onboard Terminal Block (Digital In x 1 / Digital Out x 1)	
	Configuration	EtroLink™, Onboard Mini-USB Female Socket for Network Setting	
	Video Out	Onboard 2-Pin Wafer for Additional BNC Cable	
	Mechanical Info.	Housing Construction	Compact, Flat Design Housing
Dimension		Tilt 0~90 / Pan +/-10 / Rotation +/-10	
Weight		114 (Ø) x 39 (H) mm 330g	
Optional	PoE (IEEE 802.3af)	N/A	YES
Minimum System Requirements	CPU	Pentium 4, 2.4GHz and Above	
	Hard Disk	40 GB or Above	
	Memory	512 MB or Above	
	Operating System	Windows XP with SP2 or Above / Windows 2000 with SP4 or Above	
	Video Resolution	SVGA or XGA with 1024x768 Resolution	
Management & Support	Software	DirectX 9.0C or Above	
	Configuration	EtroScan Utility	
	Integration	EtroSDK™ Support (Windows, Linux, WinCE.NET)	
	Web Browser	Microsoft Internet Explorer 6.0, or Above	
Operating Environment	Security	Password Protection	
	Temperature	0 °C ~ 40 °C (32 °F ~ 104 °F)	
Supplied Accessories	Humidity	20% ~ 80% RH	
		Power Adapter, CD-ROM (User Manual, Free Bundle NVR), USB Cable	