

EV6750

Vandal Proof IP Bullet Camera



H.264

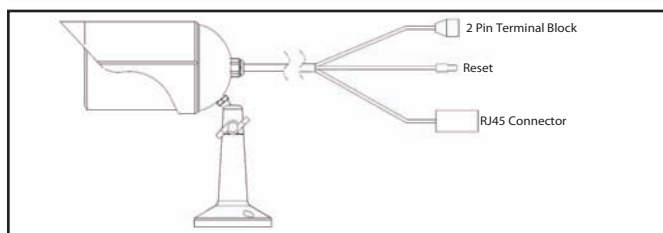
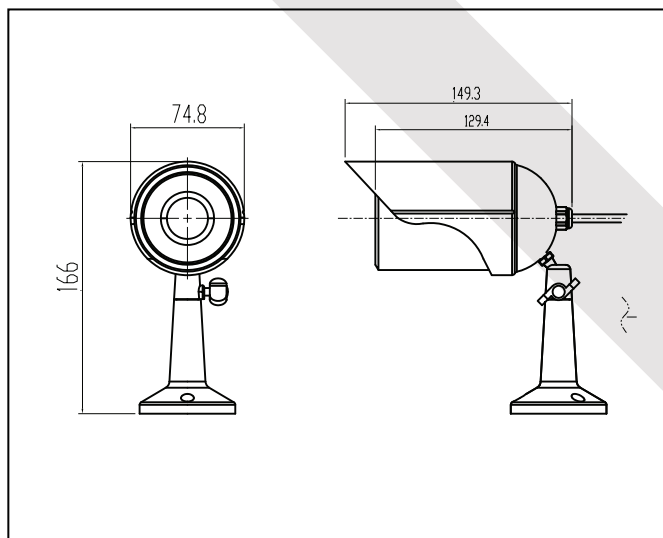
IP66

Rugged

Features

- 1/4" Ultra Low-Light CMOS
- H.264, MPEG-4, M-JPEG Dual Streams Simultaneously
- 3.6mm, F1.9 Fixed IRIS Lens,
- 30fps VGA Resolution
- Pre-and Post Alarm video recording
- Weather-proof, IP66

Dimensions



Specifications

	Model	EV6750
Camera	Image Sensor	1/4" Ultra Low-lux CMOS
	Num. of Effective Pixels (HxV)	640 x 480
	Lens	3.6mm, F1.9 Fixed IRIS
	Minimum Illumination	0.1lux @ F1.2 Color mode
	Shutter Time	1/60 s to 1/32000 Selectable
	Auto IRIS	N/A
	S/N Ratio	More than 38dB
	Day/Night	Day ONLY
Video / Audio	Video Compression	Motion JPEG / MPEG-4 / H.264 Baseline
	MJPEG	30fps @ 640x480 (VGA Resolution)
	MPEG4	30fps @ 640x480 (VGA Resolution)
	H.264	30fps @ 640x480 (VGA Resolution)
	Video Streaming	Simultaneous Dual Streams, controllable Frame Rate and Bandwidth CBR/VBR
	Bit-rate	M-JPEG: 5 Video Quality Level Selectable; MPEG-4/H.264 : 64K~4Mbps
Image Setting	Compression, Brightness, Contrast, Saturation, Mirroring, Flip, AEC, AWB, AGC, AES, Fixed Gain, Lighting Freq.	
Audio Compression	N/A	
Network	Security	Password Protection, IP Address Filtering, User Access Privilege
	Network Protocol	TCP/IP, UDP, DHCP, PPPoE, HTTP, DNS, DynDNS, NTP, FTP, SMTP, UDP, RTP, RTSP, 3GPP, UPnP, IPv4, SAMBA client (NAS)
System Integration	App. Integration Interface	EtroSDK™ 3.0
	Intelligent Video	Video Motion Detection
	Alarm Trigger	Intelligent Video
	Alarm Event	Intelligent Video, File Upload via FTP and E-mail, Notification via E-mail, File Recording to Remote NAS
	Video Buffer	Pre-and Post Alarm Buffer Up to 10 secs
General	Configuration	EtroScan™ Utility, Web UI
	Web Browser	IE 6.0 or above
	Local Storage	N/A
	Casing	Metal (Aluminium) / IP66, Vandal-proof Protection Level
	Dimension	6 (Ø) x 13 (W) x 18 (H) mm
	Weight	558g
	Processor and Memory	ARM9 Base SoC, 128MB RAM, 16MB Flash
	Power	DC12V
	I/O Connector	1)RJ45 Female / 2)2-pin Terminal Block for 12Vdc Power 3)Reset
	Failover	Reset
	Operation Conditions	0 °C ~ 50 °C (32 °F ~ 104 °F) Humidity: 20% ~ 80% RH
	Power over Ethernet	N/A
	Wireless Support	N/A
	Included accessory	Power Adaptor/ Power Cable/Stand/CD-ROM
Approvals	CE, LVD, FCC, RoHS	