

EV8780U

Full HD Real Time IP Bullet Camera



Full HD

H.264

PoE

Day&Night

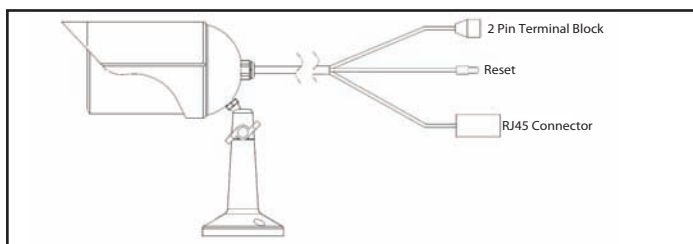
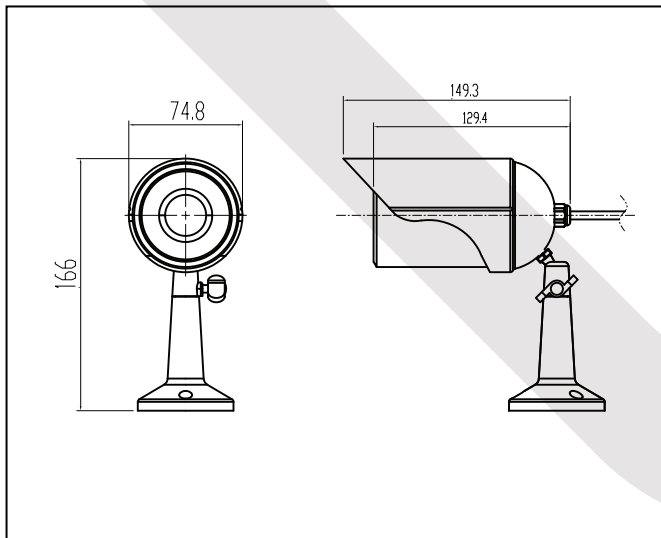
IP66

IR MEGA

Features

- 1/2.7" 1080P CMOS
- 4 mm, F1.5 Fixed Iris lens
- 1lux @ F2.0 Minimum Illumination
- 0 Lux IR on, 12pcs LED 15 Meters
- Day / Night Mode, Built-in ICR
- H.264 / MPEG-4/ M-JPEG Dual Streams Simultaneously
- Full HD frame size at 30 fps
- 4 ROI Support independent streaming
- Vandal-proof, IP66

Dimensions



Specifications

	Model	EV8780U
Camera	Image Sensor	1/2.7" HD-1080P CMOS
	Num. of Effective Pixels (HxV)	1920 x 1080
	Lens	4mm, F1.5 Fixed IRIS
	Minimum Illumination	1lux @ F2.0
	Shutter Time	1/50 s to 1/12000 Selectable
	Auto IRIS	N/A
	S/N Ratio	More than 38dB
	Day/Night	YES, built-in ICR IR auto-start under 10lux
Video / Audio	Video Compression	Motion JPEG / MPEG-4 / H.264 High Profile
	MJPEG	30fps @ 1920x1080 HDTV-1080P Resolution
	MPEG4	30fps @ 1920x1080 HDTV-1080P Resolution
	H.264	30fps @ 1920x1080 HDTV-1080P Resolution
	Video Streaming	Multiple Stream : support up to 4 independent ROI (Region of Interest), controllable Frame Rate and Bandwidth CBR/VBR
	Bit-rate	M-JPEG: 5 Video Quality Level Selectable; MPEG-4/H.264 : 128K~16Mbps
	Image Setting	Compression, Brightness, Contrast, Mirroring, Sharpness, AWB, AES, AGC, BLC, Day/Night Mode, 4 Privacy Mask Regions
Audio Compression	N/A	
Network	Security	Password Protection, IP Address Filtering, User Access Privilege
	Network Protocol	TCP/IP, UDP, DHCP, PPPoE, HTTP, HTTPS, DNS, DynDNS, NTP, FTP, SMTP, UDP, RTP, RTSP, RTCP, 3GPP, UPnP, IPv4/v6, SAMBA client (NAS)
System Integration	App. Integration Interface	CGI / ONVIF Support
	Intelligent Video	Video Motion Detection Face Detection
	Alarm Trigger	Intelligent Video
	Alarm Event	Intelligent Video, File Upload via FTP and E-mail, Notification via E-mail, File Recording to Remote NAS
	Video Buffer	100MB Max.
General	Configuration	EtroScan™ Utility, Web UI
	Web Browser	IE 6.0 or above
	Local Storage	N/A
	Casing	Metal (Aluminium) / IP66, Vandal-proof Protection Level
	Dimension	6 (Ø) x 13 (W) x 18 (H) mm
	Weight	558g
	Processor and Memory	ARM9 Base SoC, 256MB RAM, 128MB Flash
	Power	DC: 8~25V
	I/O Connector	1)RJ45 Female Type 10BASE-T/100BASE-TX 2)2-pin Terminal Block for DC Power Input 3)Reset
	Failover	Reset
	Operation Conditions	0 °C ~ 50 °C (32 °F ~ 122 °F) Humidity: 20% ~ 80% RH
	Power over Ethernet	N/A
	Wireless Support	N/A
Included Accessories	Power Adaptor/Power cable/stand/CD-ROM	
Approvals	CE,LCD FCC Ritts	
IR Range	15M	
Number of IR LED	12	
IR Angle	View angle:50~180° beam spread:30°/per LED	
IR Wavelength	850nm	