

EV8580U

Full HD Real Time Vandal Proof IP Dome



Full HD

H.264

Audio

PoE

Day&Night

IP66

SDHC

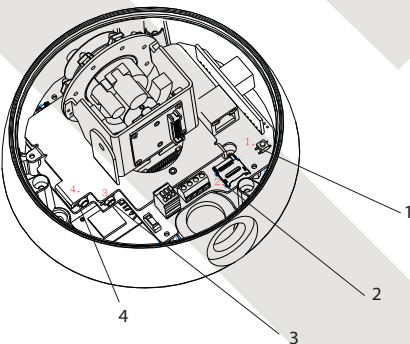
IR Mega

AC / DC
Power Input

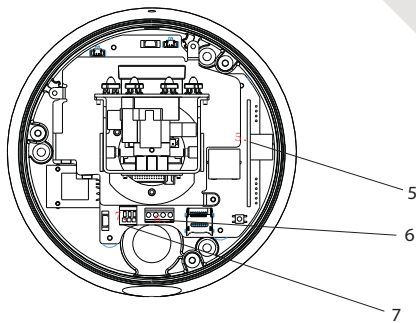
Features

- 1/2.7" 1080P CMOS
- EV8580U-B: 4mm, F1.5 Fixed IRIS Lens
- EV8580U-C: Fujinon 2.8~10mm F1.3 Vari-Focal Lens
- 1lux @ F1.3 Minimum Illumination
- 0 Lux IR on, 12pcs LED 15 Meters
- Day / Night Mode, Built-in ICR
- Two-way Audio, Built-in Microphone
- H.264 / MPEG-4/ M-JPEG
- Full HD Resolution at 30 fps
- ROI Support independent streaming
- Vandal-proof, IP66
- SD/DI/O/RS422/RS485/RS232
- 802.3af standard A/B compliant PoE

Dimensions



1. Reaset Button
2. Micro SD card slot
3. Audio out
4. Audio In



5. RJ45 Network Port
6. Alarm In/out
7. DC / AC Power In

Specifications

	Model	EV8580U
Camera	Image Sensor	1/2.7" HD-1080P CMOS
	Num. of Effective Pixels (HxV)	1920 x 1080
	Lens	EV8580U-B: 4mm, F1.5 Fixed IRIS EV8580U-C: 2.8~10mm Vari-Focal, F1.3
	Minimum Illumination	1lux @ F2.0, 0 Lux (IR on, 12pcs LED 15 Meters)
	Shutter Time	1/50 s to 1/12000 Selectable
	Auto IRIS	EV8580U-B : N/A EV8580U-C: DC Drive
	S/N Ratio	More than 38dB
	Day/Night	YES, built-in ICR
	Video / Audio	Video Compression
MJPEG		H.264 High Profile
MJPEG		30fps @ 1920x1080 HDTV-1080P Resolution
MPEG4		30fps @ 1920x1080 HDTV-1080P Resolution
H.264		30fps @ 1920x1080 HDTV-1080P Resolution
Video Streaming		Multiple Stream : support up to 4 independent ROI (Region of Interest), controllable Frame Rate and Bandwidth CBR/VBR
Bit-rate		M-JPEG: 5 Video Quality Level Selectable; MPEG-4/H.264 : 128K~16Mbps
Image Setting		Compression, Brightness, Contrast, Mirroring, Sharpness, AWB, AES, AGC, BLC, Day/Night Mode, 4 Privacy Mask Regions
Audio Compression		ADPCM / AAC
Audio Input		Built-in Microphone / Line In x1
Audio Output	Line Out x1	
Network	Security	Password Protection, IP Address Filtering, User Access Privilege
	Network Protocol	TCP/IP, UDP, DHCP, PPPoE, HTTP, HTTPS, DNS, DynDNS, NTP, FTP, SMTP, UDP, RTP, RTSP, RTCP, 3GPP, UPnP, IPv4/v6, SAMBA client (NAS)
System Integration	App. Integration Interface	CGI / ONVIF Support
	Intelligent Video	Video Motion Detection / Face Detection
	Alarm Trigger	Intelligent Video and external digital input
	Alarm Event	Intelligent Video, File Upload via FTP and E-mail, Notification via E-mail, External Output Activation, File Recording to SD Card or Remote NAS
	Video Buffer	100MB Max
General	Configuration	EtroScan™ Utility, Web UI
	Web Browser	IE 6.0 or above
	Local Storage	micro SD Card support
	Casing	Metal (Aluminium), IP66, Vandal-proof Protection Level
	Dimension	4" fixed dome: φ 155 x 105(H) mm
	Weight	1100g
	Processor and Memory	ARM9 Base SoC, 256MB RAM, 128MB Flash
	Power	DC: 8~25V / AC: 8~25V / Power over Ethernet
	I/O Connector	Refer to figure system I/O
	Failover	SD/SDHC auto-recovery / Reset
	Operation Conditions	-30 °C ~ 50 °C (-22 °F ~ 122 °F) Humidity: 20% ~ 80% RH
	Power over Ethernet	802.3af standard A/B compliant
	Included Accessories	Power Adaptor power cable CD-ROM
	Approvals	FCC Part 15 Subpart B
	IR Range	15M
	Number of IR LED	12
	IR Angle	View angle: 50~180° / beam spread: 30°/per LED
IR Wavelength	850nm	